

General Description

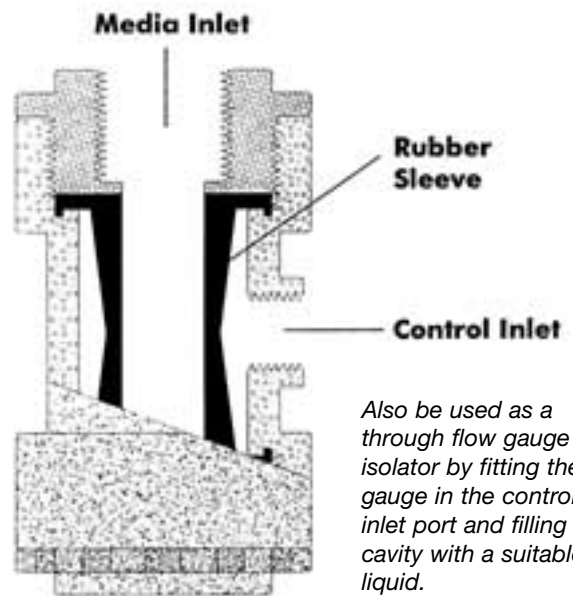
Air or liquid pressure at the control inlet collapses the internal rubber sleeve to provide immediate and positive shut off. The rubber sleeve closes completely even on large particles, abrasive and corrosive materials. When open, the sleeve allows full, unobstructed flow, with little turbulence. The sleeves can easily be replaced when they wear out.

Various sleeve elastomers and valve body material cover a wide range of control applications, including chemical dosing, slurry, abrasive and dry materials handling.



Technical Specifications:

Body material	GR Nylon, polypropylene or aluminium
Sleeve elastomer	EPDM, Buna-N, Viton, Silicone, Neoprene, Food grade EPDM
Port Size (BSP)	1/4", 3/8", 3/4", 1", 1-1/4", 2"
Bore Size (I.D.)	1/4", 3/8", 5/8", 1", 1-1/4", 2"
Media pressure	Vacuum to 5 bar
Signal pressure	Vacuum to 6 bar



Differential: To fully close the sleeve, the valve requires a signal pressure of approximately 20psi (1.3 bar) greater than the media pressure i.e. with a media pressure of 3 bar, actuator pressure (signal) of 4.3 bar or greater. (Use of signal pressure over 6 bar is not recommended). By design, the pinch valve is normally open and requires constant signal pressure for complete closure. In the event of sleeve failure, controlled material can enter the actuation system or signal pressure can enter the media.

STANDARD PINCH VALVES

Port Size	Bore ID	Body	EPDM* Sleeve	Viton Sleeve	Silicon Sleeve	Buna-N Sleeve	F.G. EPDM Sleeve	Neoprene Sleeve	*Stock Items
1/4"	1/4"	Nylon*	AP-6335	AP-6339	AP-6336	AP-6331	AP-6334	AP-6337	
3/8"	3/8"	Nylon*	AP-6295	AP-6299	AP-6296	AP-6291	AP-6292	AP-6297	
3/4"	5/8"	Nylon*	AP-6224	AP-6228	AP-6226	AP-6222	AP-6223	AP-6227	
1"	1"	Nylon	(NPT Only - Available on request)						
1-1/4"	1-1/4"	Nylon*	AP-6208	AP-6209	AP-6347	AP-6206	AP-6207	AP-6348	
2"	2"	Polypropylene*	AP-6605	TBA	TBA	AP-6603	TBA	TBA	

OPTIONAL PINCH VALVES

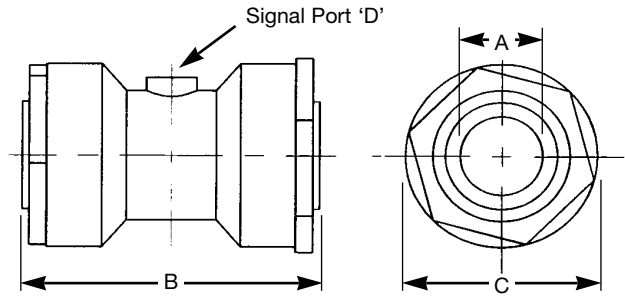
Port Size	Bore ID	Body	EPDM Sleeve	Viton Sleeve	Silicon Sleeve	Buna-N Sleeve	F.G. EPDM Sleeve	Neoprene Sleeve
1/4"	1/4"	Polypropylene	AP-6376	AP-6380	AP-6377	AP-6372	AP-6375	AP-6378
3/8"	3/8"	Polypropylene	AP-6308	AP-6312	AP-6309	AP-63004	AP-6805	AP-6310
3/4"	5/8"	Polypropylene	AP-6254	AP-6258	AP-6256	AP-6252	AP-6253	AP-6257
1-1/4"	1-1/4"	Polypropylene	AP-6216	AP-6217	AP-6388	AP-6214	AP-6215	AP-6389
2"	2"	Polyprop/Alum.	AP-6615	TBA	TBA	TBA	TBA	TBA

Ordering Example: AP-6208 1-1/4" BSP pinch valve, 1-1/4" bore EPDM sleeve, GR nylon body

AIR OPERATED PINCH VALVES 1/2" BSP - 2" BSP

DIMENSIONS: PINCH VALVES

Port Size A (BSP)	Bore ID	B	C	D (BSP)	Actuator Replacement
1/4"	1/4"	90	30	1/8"	1.6cc
3/8"	3/8"	75	45	1/8"	8.2cc
3/4"	5/8"	100	60	1/4"	18cc
1"	1"	140	90	1/4"	100cc
1-1/4"	1-1/4"	140	90	1/4"	90cc
2" NPT	2"	250	160	3/8"	1000cc

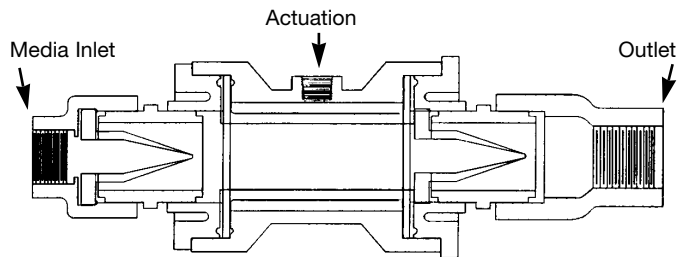


OTHER AP PRODUCTS:

PULSE PUMP - Pneumatic displacement of contaminated slurries, liquids, etc

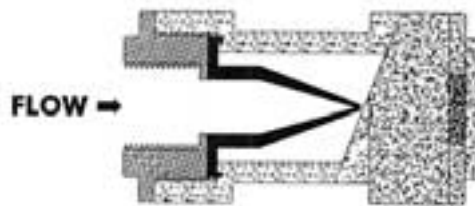
Bore ID	Length	ODØ	Volume/Pulse
5/8"	190	60	0.40 oz (6.6cc)
1-1/4"	290	90	1.75 oz (29cc)

Port Size BSP IN/OUT	Bore ID	Body	EPDM Sleeve	Viton Sleeve
3/8" / 3/8"	5/8"	Nylon	AP-6455	AP-6457
3/4" / 1-1/4"	1-1/4"	Nylon	AP-6458	AP-6460



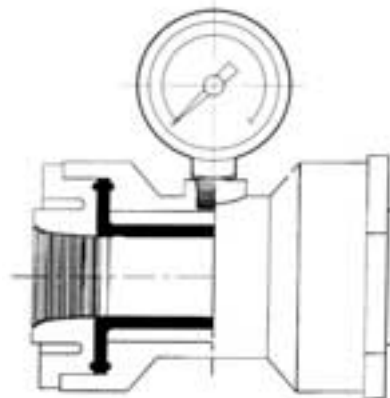
DUCKBILL CHECK VALVES - For contaminated liquids, slurries & air. Note: Optional polypropylene body.

Port Size (BSP)	Bore ID	Body	EPDM Sleeve	Viton Sleeve
1/4"	1/4"	Nylon	AP-6418	AP-6419
3/4"	5/8"	Nylon	AP-6424	AP-6425
1-1/4"	1-1/4"	Nylon	TBA	TBA



FULL BORE GAUGE ISOLATOR - Gauge or pressure switch protection from ultra-pure and chemical liquids. No deadleg area; ideal for viscous fluids and slurries.

Port Size (BSP)	Gauge Port	Displacement
1/4"	1/8" BSP	1.6cc
3/8"	1/8" BSP	8.2cc
3/4"	1/4" BSP	18cc
1"	1/4" BSP	100cc
1-1/4"	1/4" BSP	90cc
2"	3/8" BSP	1000cc



PROCESS SYSTEMS PTY LTD

A.B.N. 15 010 932 386

Email: sales@processsystems.com.au

P.O. Box 2070 Wellington Pt. Qld. 4160

1 Ramsay St. Hemmant, Brisbane. Qld. 4174 Australia Int. Phone: +61 7 3890 3122

Internet: Processsystems.com.au

Int. Fax: +61 7 3890 3133

Distributed by:

WARRANTY INFORMATION

Model AP and all other products manufactured or distributed by Process Systems Pty. Ltd. are warranted by Process Systems to be free of defects in material and workmanship for a period of 1 year from the date of purchase or as the manufacturer warrants. Process Systems obligation under this warranty is limited to repair or replacement of the defective product or refund of the purchase price paid solely at the discretion of Process Systems and provided such defective product is returned to Process Systems freight prepaid and upon examination by Process Systems such product is found defective. This warranty shall be void in the event that the product has been subject to misuse, misapplication, improper maintenance, modification or tampering. This warranty is expressed in lieu of all other warranties, expressed or implied from Process Systems Pty. Ltd. representatives or employees. Process Systems reserves the right to change Valve and Brochure specifications without notice.